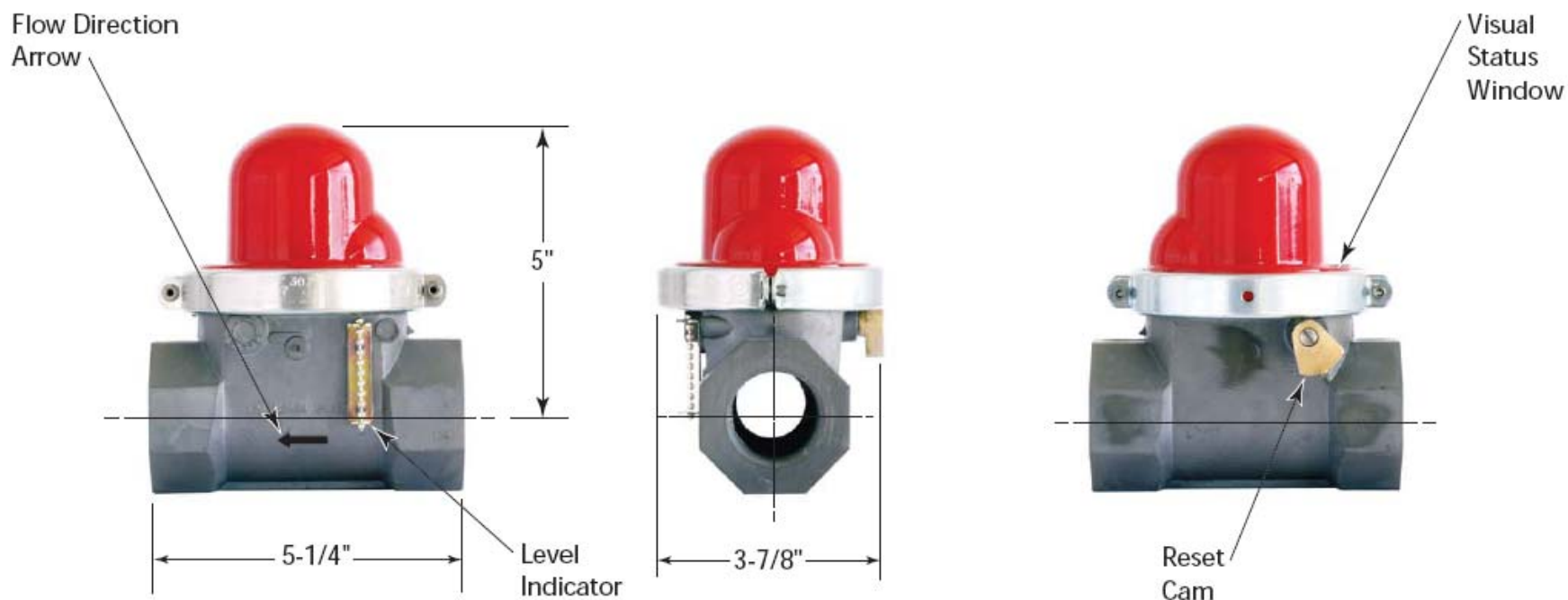


Specifications: Model 302(7) NPT Valve

Horizontal Flow



| Valve Model# | CA-DSA No. | Length | Height | Width | Nominal Pipe Size | Threads Per Inch | APPLICATION | DATA |
|--------------|------------|--------|--------|--------|-------------------|------------------|---------------|--------------|
| | | | | | | | Max. Pressure | Fuel |
| 302(7) | 45R-113R | 5-1/4" | 5" | 3-7/8" | 1-1/4" | 11-1/2 | 7.0 psi | Dry Fuel Gas |

California Valves are UL-listed in the USA & Canada, certified by California's Division of the State Architect, Approved by Los Angeles, and warranted free of manufacturer's defects for 30 years (when used in the USA or Canada). *California Valves* meet California Standard 12-16-1 for Earthquake Actuated Automatic Gas Shutoff Systems & ASCE Standard 25-97 for Earthquake Actuated Automatic Gas Shutoff Devices.

Distributed by Strand Earthquake Consultants
Tel: (310) 473-2426 or 473-2316. Toll free: (800) 978-7263
Fax: (310) 473-1366. Website: www.strandearthquake.com
1436 S. Bentley Ave., Suite #6, Los Angeles, CA 90025 USA
Manufactured by Pacific Seismic Products, Inc.

1-1/4" Model 302 California Seismic Valve

Threaded Horizontal

FLOW CAPACITY TABLE IWC/PSIG - Capacity S.C.F.H.

Merit Rating: Cv 64 (Equivalent Length of Pipe is 4 Feet)

For determining approximate values at selected natural gas pressures to 60 PSIG

| Pressure Drop | | 8" iwc Inlet | 14" iwc Inlet | 3 psi Inlet | 5 psi Inlet | 7 psi Inlet | 10 psi Inlet | 20 psi Inlet | 60 psi Inlet |
|---------------|-----|--------------|---------------|-------------|-------------|-------------|--------------|--------------|--------------|
| PSI | IWC | | | | | | | | |
| .0036 | 0.1 | 1,103 | 1,111 | 1,198 | 1,264 | 1,327 | 1,416 | 1,678 | 2,462 |
| .0072 | 0.2 | 1,560 | 1,571 | 1,695 | 1,788 | 1,876 | 2,002 | 2,373 | 3,482 |
| .0108 | 0.3 | 1,911 | 1,924 | 2,075 | 2,189 | 2,298 | 2,452 | 2,906 | 4,265 |
| .0144 | 0.4 | 2,187 | 2,204 | 2,396 | 2,528 | 2,653 | 2,831 | 3,356 | 4,924 |
| .0180 | 0.5 | 2,466 | 2,484 | 2,679 | 2,826 | 2,966 | 3,165 | 3,752 | 5,505 |
| .0216 | 0.6 | 2,701 | 2,721 | 2,934 | 3,096 | 3,249 | 3,467 | 4,109 | 6,031 |
| .0252 | 0.7 | 2,917 | 2,938 | 3,169 | 3,343 | 3,509 | 3,744 | 4,439 | 6,514 |
| .0288 | 0.8 | 3,118 | 3,141 | 3,387 | 3,574 | 3,751 | 4,002 | 4,745 | 6,963 |
| .0324 | 0.9 | 3,307 | 3,331 | 3,592 | 3,790 | 3,978 | 4,245 | 5,032 | 7,386 |
| .0360 | 1.0 | 3,486 | 3,511 | 3,786 | 3,995 | 4,193 | 4,474 | 5,304 | 7,785 |
| .0720 | 2.0 | 4,924 | 4,959 | 5,349 | 5,644 | 5,925 | 6,323 | 7,497 | 11,007 |
| .1080 | 3.0 | 6,023 | 6,066 | 6,544 | 6,907 | 7,251 | 7,738 | 9,178 | 13,477 |
| .1440 | 4.0 | 6,946 | 6,996 | 7,549 | 7,968 | 8,365 | 8,929 | 10,592 | 15,558 |
| .1800 | 5.0 | 7,757 | 7,813 | 8,432 | 8,900 | 9,345 | 9,975 | 11,836 | 17,391 |



Horizontal Valves

| | | Sizes Available | | | | | | | | | | | | | | Ambient Temperature | |
|--------------------------------------|--------|-----------------|----|--------|--------|----|--------|----|----|---------|--------|----|----|----|----|---|--------------------------------|
| | | NPT | | | | | | | | Flanged | | | | | | UL -40° to 150° F CA DSA: -10° to 150°F | |
| | | 3/4" | 1" | 1 1/4" | 1 1/2" | 2" | 2 1/2" | 3" | 4" | 2" | 2 1/2" | 3" | 4" | 6" | 8" | | |
| Maximum Pressures of Available Sizes | 7 psi | ✓ | ✓ | ✓ | ✓ | | | | | | | | | | | | Fluid Natural gas LP gas |
| | 60 psi | ✓ | ✓ | ✓ | ✓ | ✓ | ✓ | ✓ | ✓ | ✓ | ✓ | ✓ | ✓ | ✓ | ✓ | | |

Distributed by Strand Earthquake Consultants / Manufactured by Pacific Seismic Products, Inc.

Tel: (310) 473-2426 or 473-2316. Toll free: (800) 978-7263. Fax: (310) 473-1366. Website: www.strandearthquake.com