

S

P

E

C

I

A

# Model 501 Remote Actuator

Works With All CALIFORNIA Valves



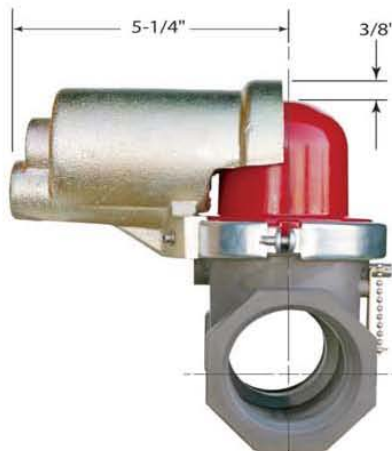
Remote Actuator shown installed on 1-1/2" valve, installation is typical.

The Model 501 Remote Actuator will add an additional layer of protection to panic switches, fire and sprinkler alarm systems. A CALIFORNIA valve with the 501 Remote Actuator will trip during a violent earthquake or when an electrical signal is present.

Available for all CALIFORNIA valves, 3/4" to 6" vertical or horizontal, the actuator is factory installed at the time of manufacture. It is not available as a retro fit to existing valves.

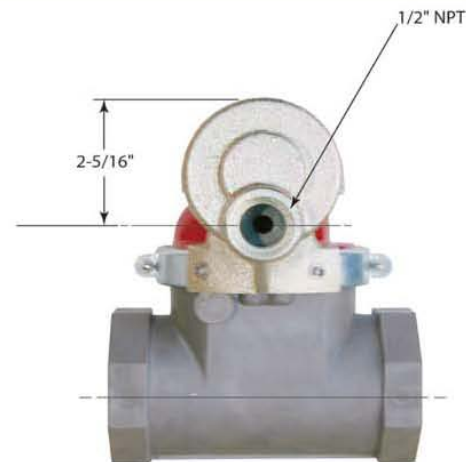
A typical customer's system would include a 24 volt transformer, panic switch and our RA 501, providing both panic/emergency shut off and seismic protection.

## Specifications



Switch: Normally Open

Wire: Low Voltage



Voltage: 24

Draw: 15 Watts

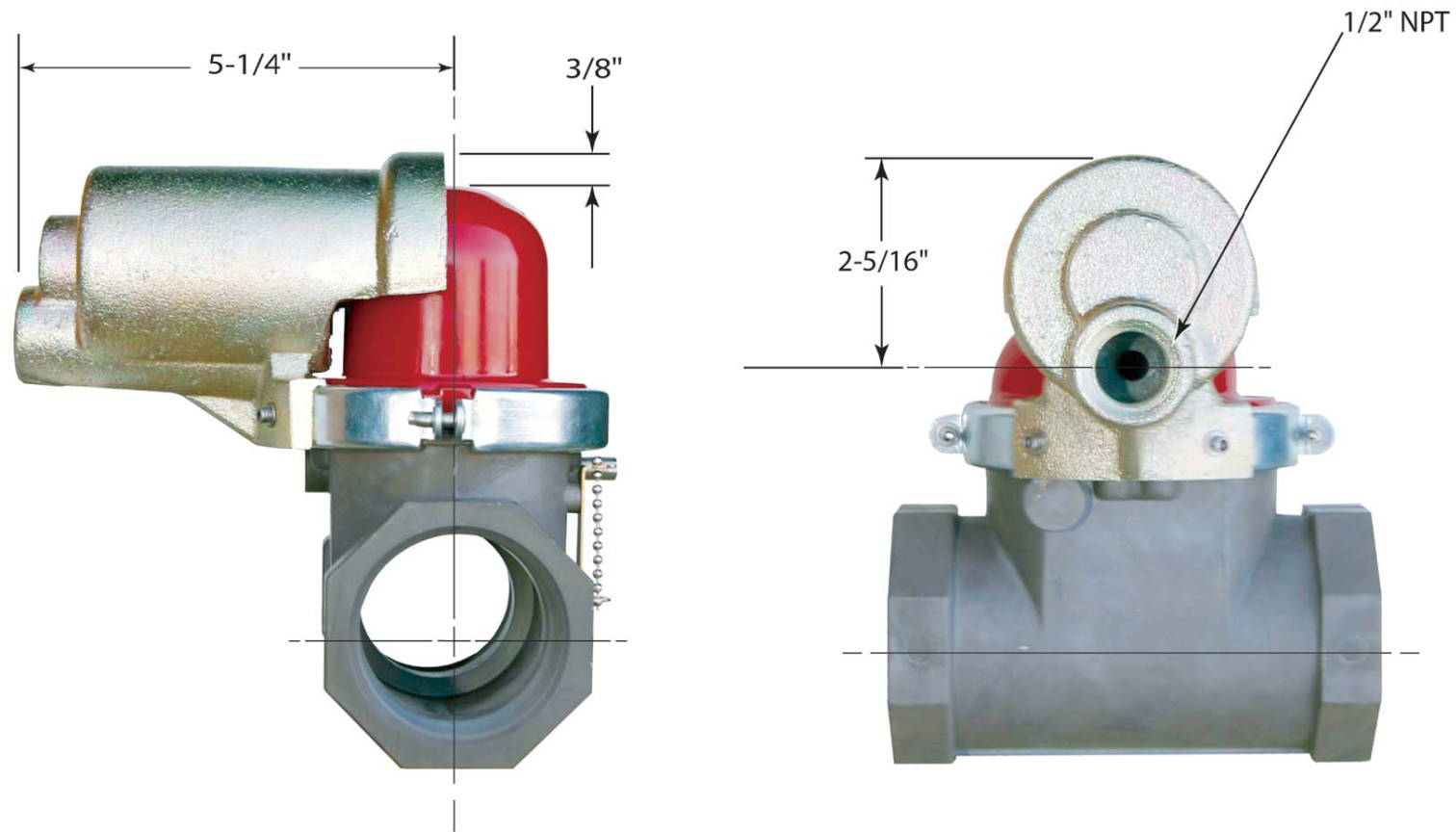
**Distributed by Strand Earthquake Consultants**

Tel: (310) 473-2426 or 473-2316. Toll free: (800) 978-7263  
 Fax: (310) 473-1366. Website: [www.strandearthquake.com](http://www.strandearthquake.com)  
 1436 S. Bentley Ave., Ste. #6, Los Angeles, CA 90025 USA  
 Manufactured by Pacific Seismic Products, Inc.

L

# Specifications: Model 501 Remote Actuator

## Available For All CALIFORNIA Valves



Model 501 Remote Actuators are warranted free of manufacturer's defects for 3 years (when used in the USA or Canada). CALIFORNIA Valves are UL-listed in the USA & Canada, certified by California's Division of the State Architect, approved by Los Angeles, and warranted free of manufacturer's defects for 30 years (when used in the USA or Canada), CALIFORNIA Valves meet California Standard 12-16-1 for Earthquake Actuated Automatic Gas Shutoff Systems & ASCE Standard 25-97 for Earthquake Actuated Automatic Gas Shutoff Devices.

**Distributed by Strand Earthquake Consultants**

**Tel: (310) 473-2426 or 473-2316. Toll free: (800) 978-7263.**

**Fax: (310) 473-1366. Website: [www.strandearthquake.com](http://www.strandearthquake.com)**

**1436 S. Bentley Ave., Ste. #6, Los Angeles, CA 90025 USA**

Manufactured by Pacific Seismic Products, Inc.