

S

P

E

C

I

A

Model 510 Seismic Actuated Electrical Switch Emergency Shut-Off System

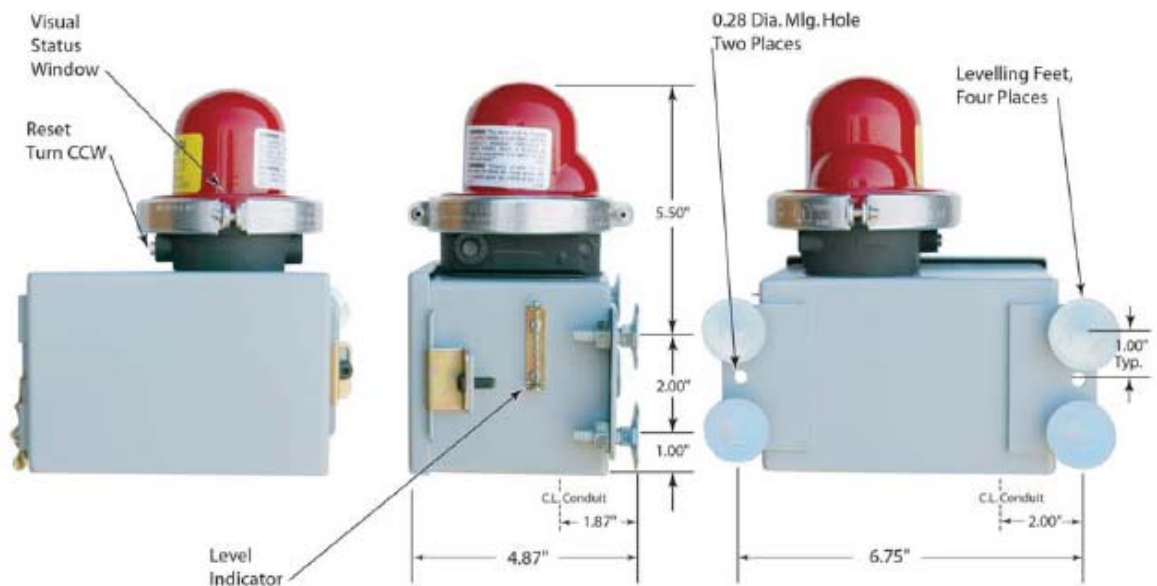


The Model ES510 Seismic Switch is a seismically actuated electrical switch. This unique device, when configured properly, will cut electrical power to just about any device during a seismic event. It is mounted securely to the building via mounting brackets and leveled using chain site. The protected device's power is wired with the 510 and other customer provided hardware thus providing seismic protection.

PSP's Seismic Switch can be used to protect a variety of electrical devices, such as a local electrical pump or even an entire factory, when properly installed with additional hardware (not provided by PSP).



Specifications



Distributed by Strand Earthquake Consultants

Tel: (310) 473-2426 or 473-2316. Toll free: (800) 978-7263

Fax: (310) 473-1366. Website: www.strandearthquake.com

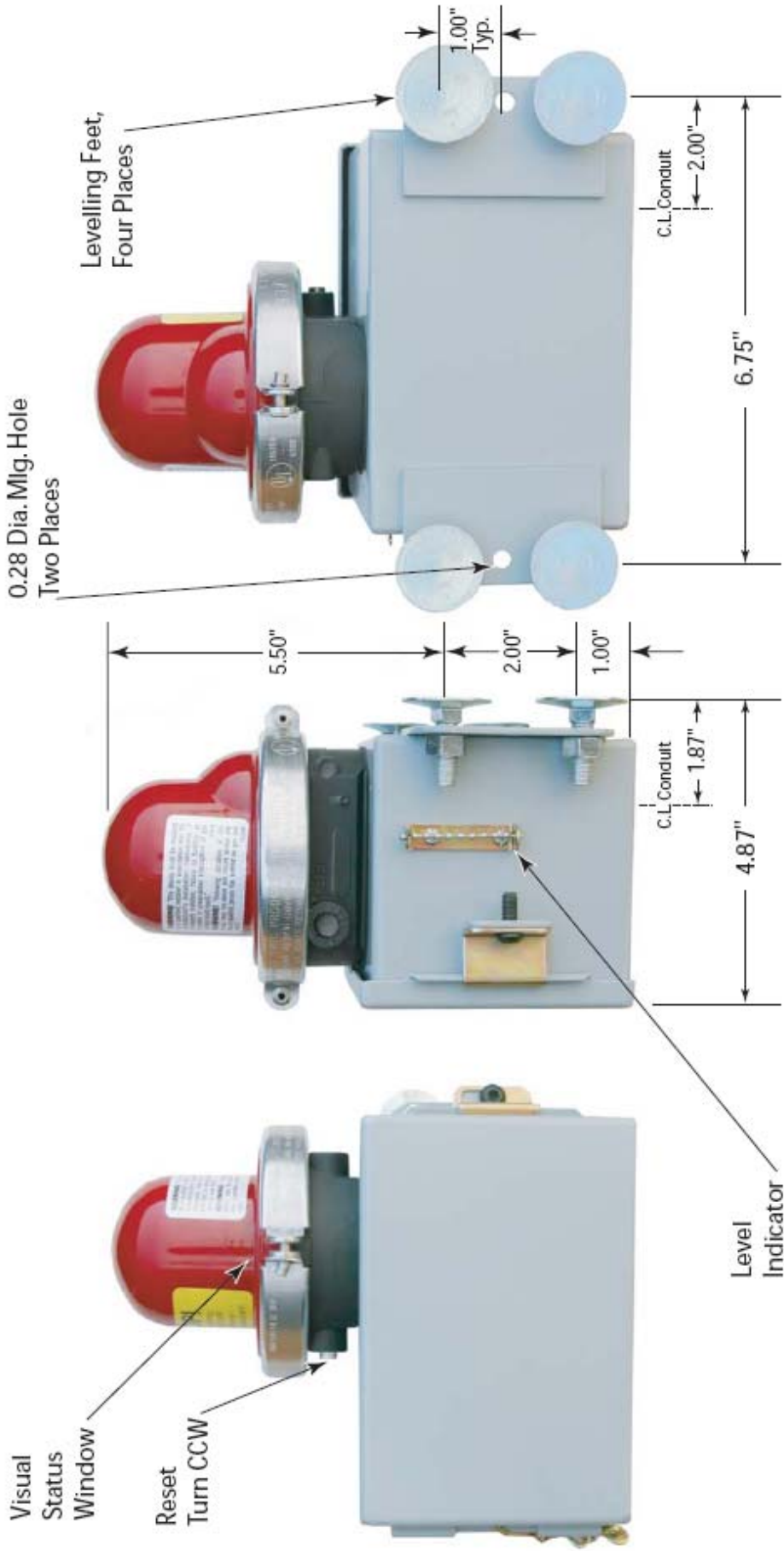
1436 S. Bentley Ave., Ste. #6, Los Angeles, CA 90025 USA

Manufactured by Pacific Seismic Products, Inc.

L

Specifications: Model 510 Seismic Switch

Emergency Shut-Off System



Model 510 Seismic Switches are UL-listed in the USA & Canada, certified by California's Division of the State Architect (CA-DSA #41-109), and warranted free of manufacturer's defects for 3 years (when used in the USA or Canada). Model 510 Seismic Switches meet California Standard 12-23-1 for Earthquake Actuated Automatic Gas Shutoff Systems & ANSI Standard Z21.70 for Earthquake-Actuated Automatic Gas Shutoff Systems.

Distributed by Strand Earthquake Consultants
Tel: (310) 473-2426 or 473-2316. Toll free: (800) 978-7263.
Fax: (310) 473-1366. Website: www.strandearthquake.com
1436 S. Bentley Ave., Ste. #6, Los Angeles, CA 90025 USA
 Manufactured by Pacific Seismic Products, Inc.