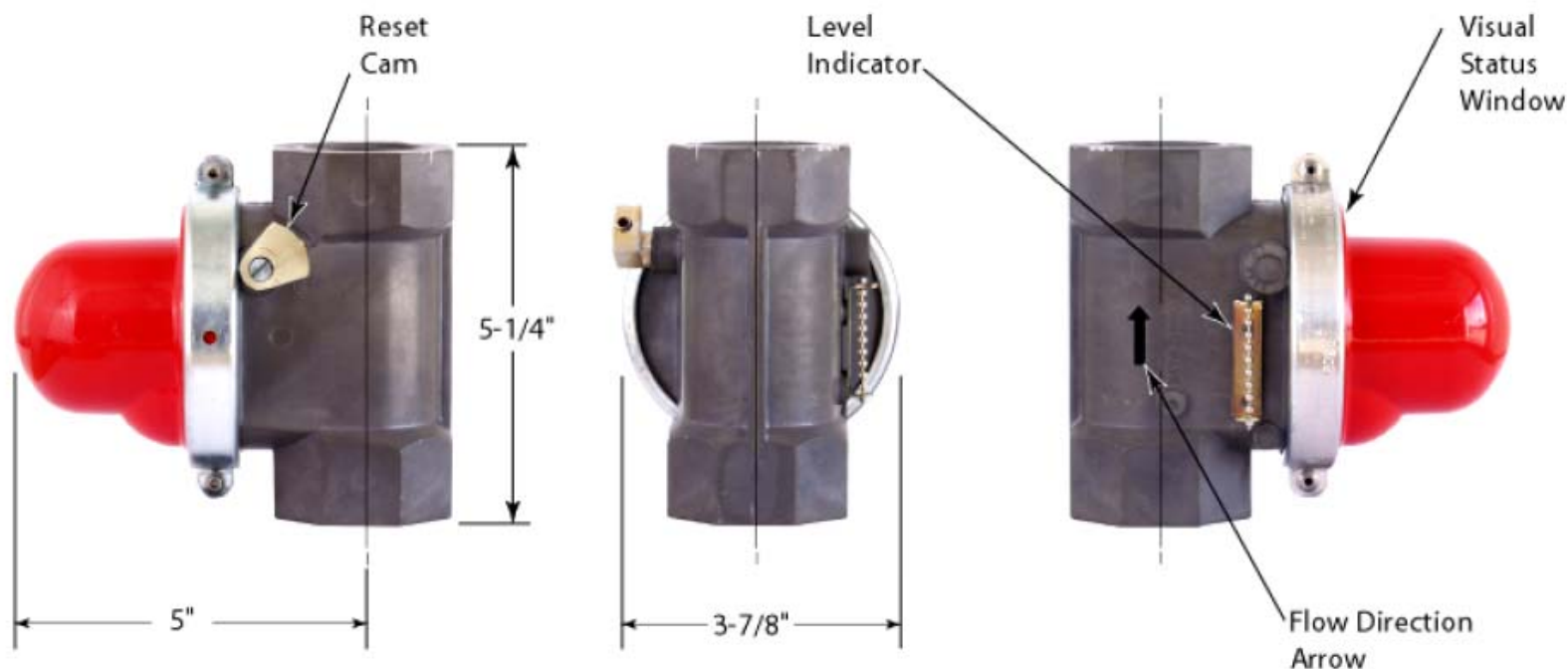


# Specifications: Model VB-302(7) NPT Valve

## Vertical - Bottom In Flow



Valve Model#	CA-DSA No.	Length	Height	Width	Nominal Pipe Size	Threads Per Inch	APPLICATION	DATA
							Max. Pressure	Fuel
VB-302(7)	60-01	5"	5-1/4"	3-7/8"	1-1/4"	11-1/2	7.0 psi	Dry Fuel Gas

California Valves are UL-listed in the USA & Canada, certified by California's Division of the State Architect, Approved by Los Angeles, and warranted free of manufacturer's defects for 30 years (when used in the USA or Canada). California Valves meet California Standard 12-16-1 for Earthquake Actuated Automatic Gas Shutoff Systems & ASCE Standard 25-97 for Earthquake Actuated Automatic Gas Shutoff Devices.

**Distributed by Strand Earthquake Consultants**  
**Tel: (310) 473-2426 or 473-2316. Toll free: (800) 978-7263**  
**Fax: (310) 473-1366. Website: [www.strandearthquake.com](http://www.strandearthquake.com)**  
**1436 S. Bentley Ave., Suite #6, Los Angeles, CA 90025 USA**  
**Manufactured by Pacific Seismic Products, Inc.**

# 1-1/4" Model VB-302 California Seismic Valve

## Threaded Vertical - Upward Flow

### FLOW CAPACITY TABLE IWC/PSIG - Capacity S.C.F.H.

Merit Rating: Cv 64 (Equivalent Length of Pipe is 4 Feet)

For determining approximate values at selected natural gas pressures to 60 PSIG

Pressure Drop		8" IWC Inlet	14" IWC Inlet	3 psi Inlet	5 psi Inlet	7 psi Inlet	10 psi Inlet	20 psi Inlet	60 psi Inlet
PSI	IWC								
.0036	0.1	1,103	1,111	1,198	1,264	1,327	1,416	1,678	2,462
.0072	0.2	1,560	1,571	1,695	1,788	1,876	2,002	2,373	3,482
.0108	0.3	1,911	1,924	2,075	2,189	2,298	2,452	2,906	4,265
.0144	0.4	2,187	2,204	2,396	2,528	2,653	2,831	3,356	4,924
.0180	0.5	2,466	2,484	2,679	2,826	2,966	3,165	3,752	5,505
.0216	0.6	2,701	2,721	2,934	3,096	3,249	3,467	4,109	6,031
.0252	0.7	2,917	2,938	3,169	3,343	3,509	3,744	4,439	6,514
.0288	0.8	3,118	3,141	3,387	3,574	3,751	4,002	4,745	6,963
.0324	0.9	3,307	3,331	3,592	3,790	3,978	4,245	5,032	7,386
.0360	1.0	3,486	3,511	3,786	3,995	4,193	4,474	5,304	7,785
.0720	2.0	4,924	4,959	5,349	5,644	5,925	6,323	7,497	11,007
.1080	3.0	6,023	6,066	6,544	6,907	7,251	7,738	9,178	13,477
.1440	4.0	6,946	6,996	7,549	7,968	8,365	8,929	10,592	15,558
.1800	5.0	7,757	7,813	8,432	8,900	9,345	9,975	11,836	17,391



### Vertical Valves

		Sizes Available														Ambient Temperature	
		NPT								Flanged						UL -40° to 150° F CA DSA: -10° to 150°F	
		3/4"	1"	1 1/4"	1 1/2"	2"	2 1/2"	3"	4"	2"	2 1/2"	3"	4"	6"	8"		
Maximum Pressures of Available Sizes	7 psi	✓	✓	✓	✓												Fluid Natural gas LP gas
	60 psi	✓	✓	✓	✓	✓	✓	✓	✓	✓	✓	✓	✓	✓	✓		

Distributed by Strand Earthquake Consultants / Manufactured by Pacific Seismic Products, Inc.

Tel: (310) 473-2426 or 473-2316. Toll free: (800) 978-7263. Fax: (310) 473-1366. Website: [www.strandearthquake.com](http://www.strandearthquake.com)