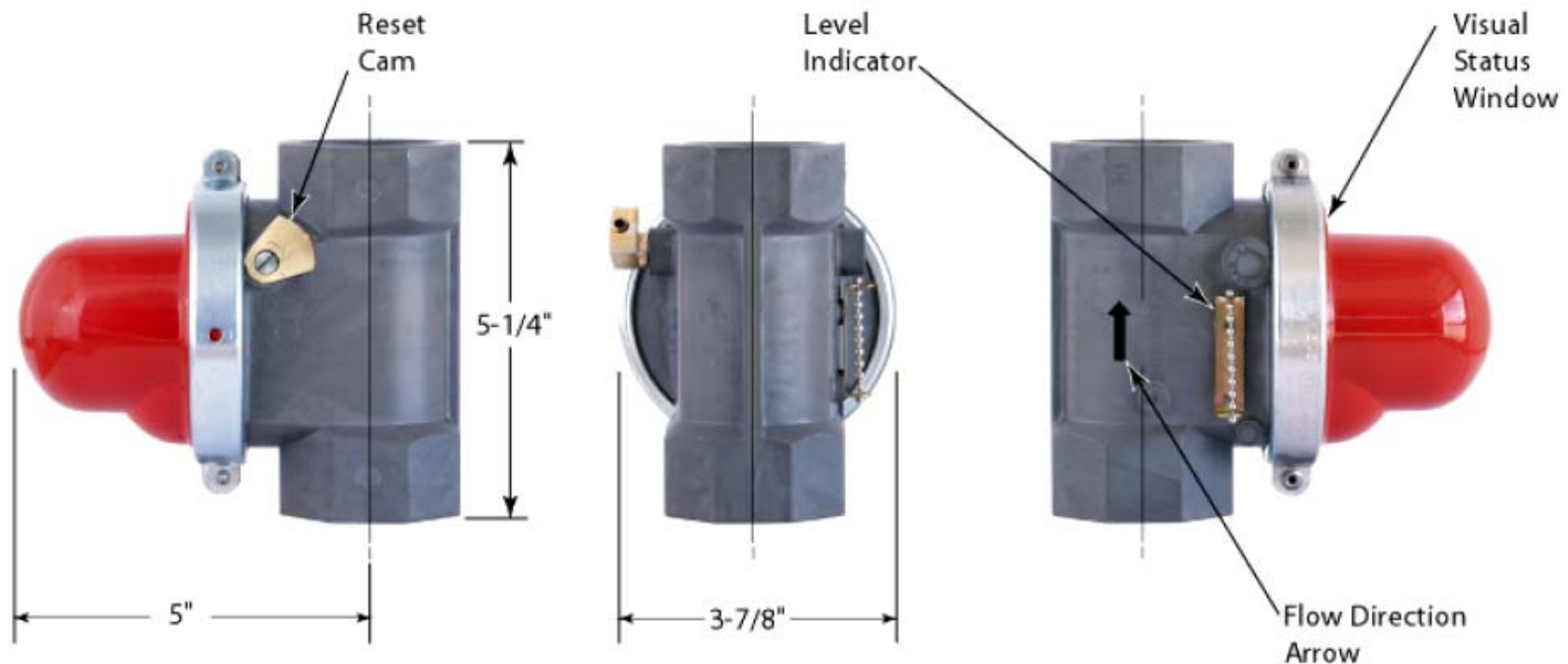


Specifications: Model VB-303(7) NPT Valve

Vertical - Bottom In Flow



Valve Model#	CA-DSA No.	Length	Height	Width	Nominal Pipe Size	Threads Per Inch	APPLICATION DATA	
							Max. Pressure	Fuel
VB-303(7)	60-01	5"	5-1/4"	3-7/8"	1-1/2"	11-1/2	7.0 psi	Dry Fuel Gas

California Valves are UL-listed in the USA & Canada, certified by California's Division of the State Architect, Approved by Los Angeles, and warranted free of manufacturer's defects for 30 years (when used in the USA or Canada). California Valves meet California Standard 12-16-1 for Earthquake Actuated Automatic Gas Shutoff Systems & ASCE Standard 25-97 for Earthquake Actuated Automatic Gas Shutoff Devices.

Distributed by Strand Earthquake Consultants
Tel: (310) 473-2426 or 473-2316. Toll free: (800) 978-7263
Fax: (310) 473-1366. Website: www.strandearthquake.com
1436 S. Bentley Ave., Suite #6, Los Angeles, CA 90025 USA
Manufactured by Pacific Seismic Products, Inc.

1-1/2" Model VB-303 California Seismic Valve

Threaded Vertical - Upward Flow

FLOW CAPACITY TABLE IWC/PSIG - Capacity S.C.F.H.

Merit Rating: Cv 101 (Equivalent Length of Pipe is 5 Feet)

For determining approximate values at selected natural gas pressures to 60 PSIG

Pressure Drop		8" iwc Inlet	14" iwc Inlet	3 psi Inlet	5 psi Inlet	7 psi Inlet	10 psi Inlet	20 psi Inlet	60 psi Inlet
PSI	IWC								
.0036	0.1	1,741	1,754	1,891	1,995	2,094	2,234	2,648	3,886
.0072	0.2	2,462	2,480	2,674	2,821	2,961	3,159	3,745	5,495
.0108	0.3	3,015	3,037	3,275	3,455	3,627	3,869	4,586	6,730
.0144	0.4	3,454	3,478	3,781	3,989	4,187	4,468	5,296	7,771
.0180	0.5	3,892	3,920	4,227	4,460	4,681	4,994	5,921	8,688
.0216	0.6	4,263	4,293	4,630	4,885	5,127	5,471	6,485	9,517
.0252	0.7	4,604	4,637	5,001	5,276	5,538	5,909	7,005	10,280
.0288	0.8	4,921	4,956	5,345	5,640	5,920	6,316	7,488	10,989
.0324	0.9	5,219	5,256	5,669	5,981	6,278	6,699	7,942	11,655
.0360	1.0	5,501	5,540	5,975	6,304	6,617	7,061	8,371	12,285
.0720	2.0	7,770	7,826	8,441	8,908	9,350	9,978	11,832	17,370
.1080	3.0	9,505	9,573	10,328	10,899	11,442	12,212	14,483	21,269
.1440	4.0	10,962	11,041	11,914	12,574	13,201	14,090	16,715	24,553
.1800	5.0	12,241	12,330	13,306	14,045	14,747	15,742	18,679	27,445



Vertical Valves

		Sizes Available														Ambient Temperature	
		NPT								Flanged						UL -40° to 150° F CA DSA: -10° to 150°F	
		3/4"	1"	1 1/4"	1 1/2"	2"	2 1/2"	3"	4"	2"	2 1/2"	3"	4"	6"	8"		
Maximum Pressures of Available Sizes	7 psi	✓	✓	✓	✓												Fluid Natural gas LP gas
	60 psi	✓	✓	✓	✓	✓	✓	✓	✓	✓	✓	✓	✓	✓	✓		

Distributed by Strand Earthquake Consultants / Manufactured by Pacific Seismic Products, Inc.

Tel: (310) 473-2426 or 473-2316. Toll free: (800) 978-7263. Fax: (310) 473-1366. Website: www.strandearthquake.com